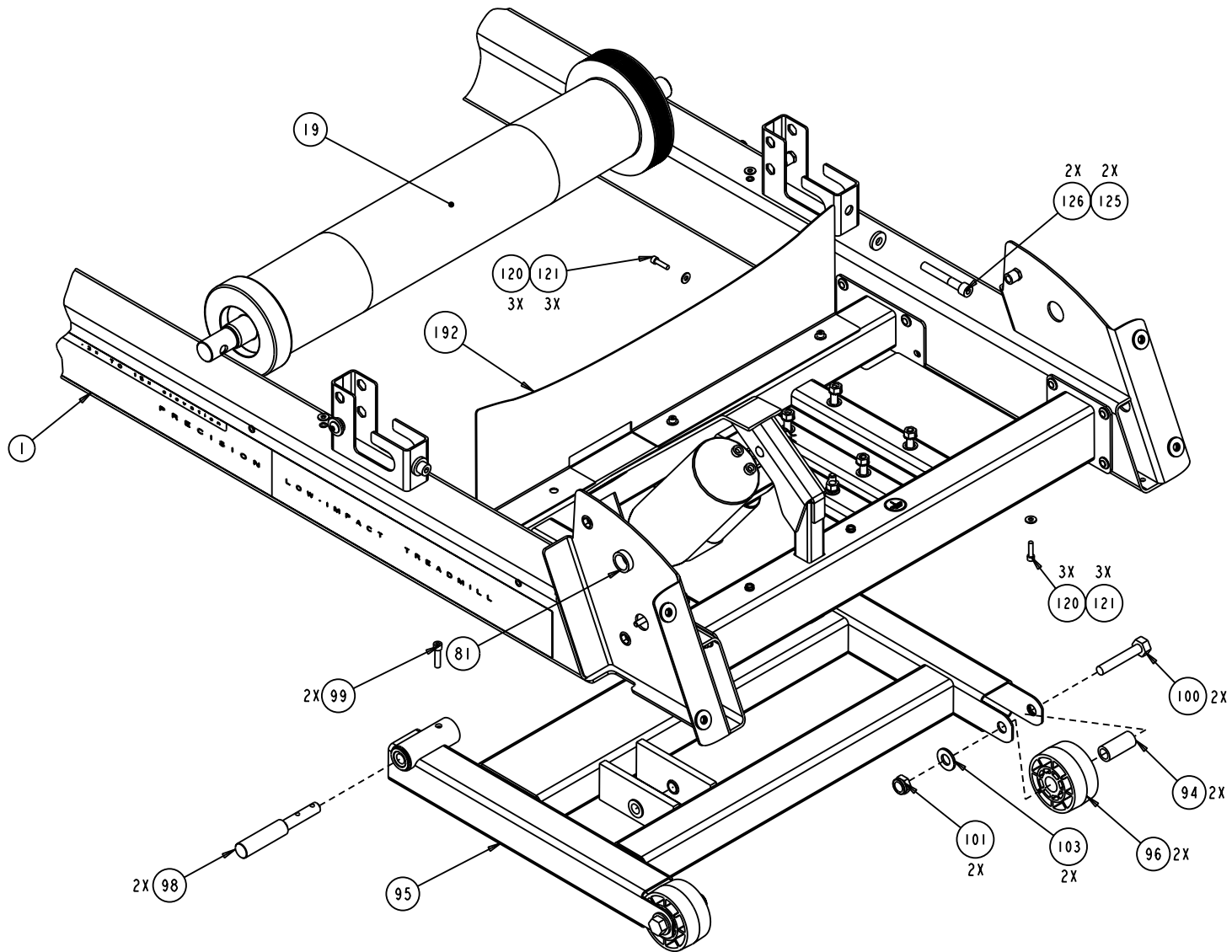
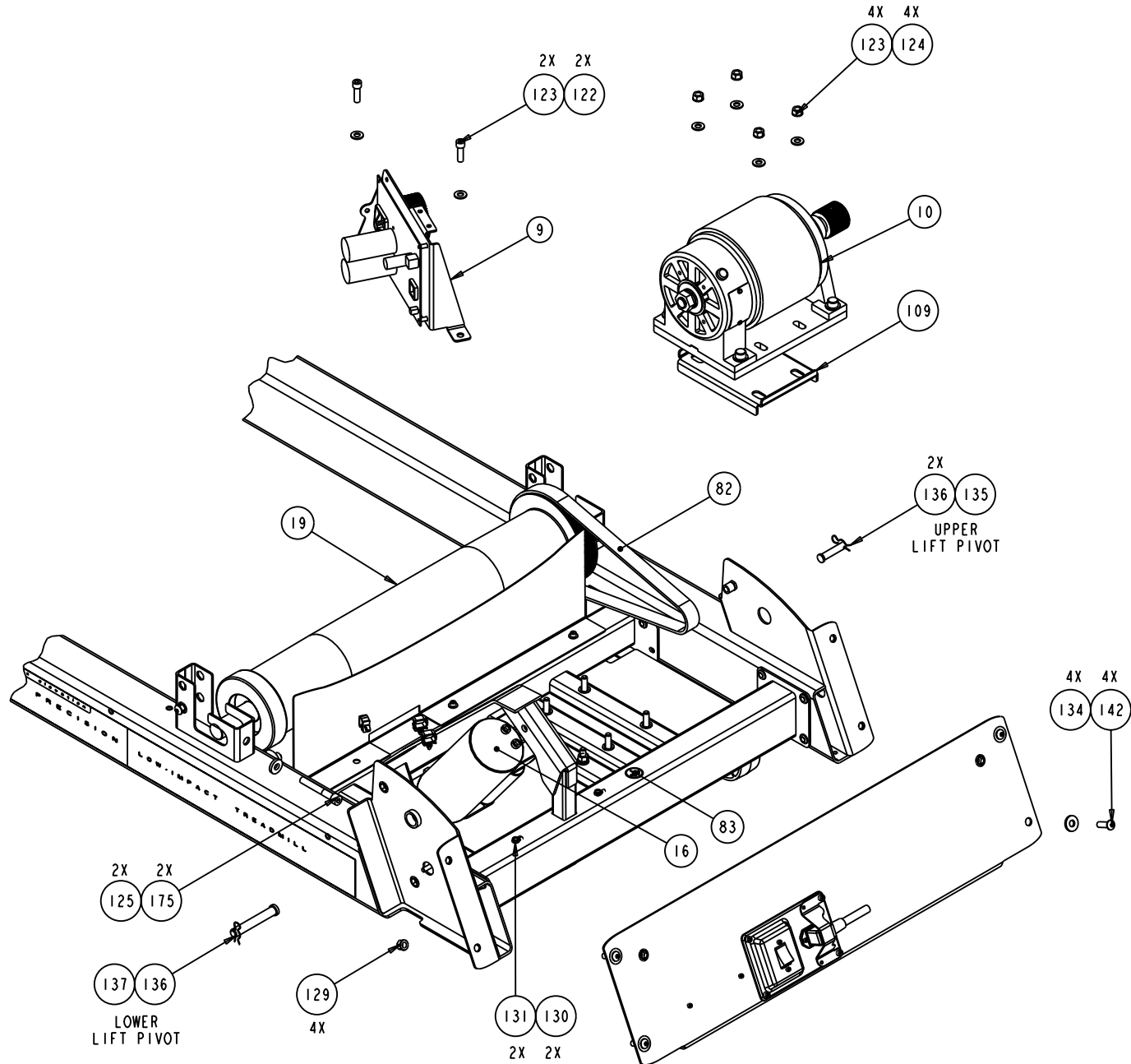
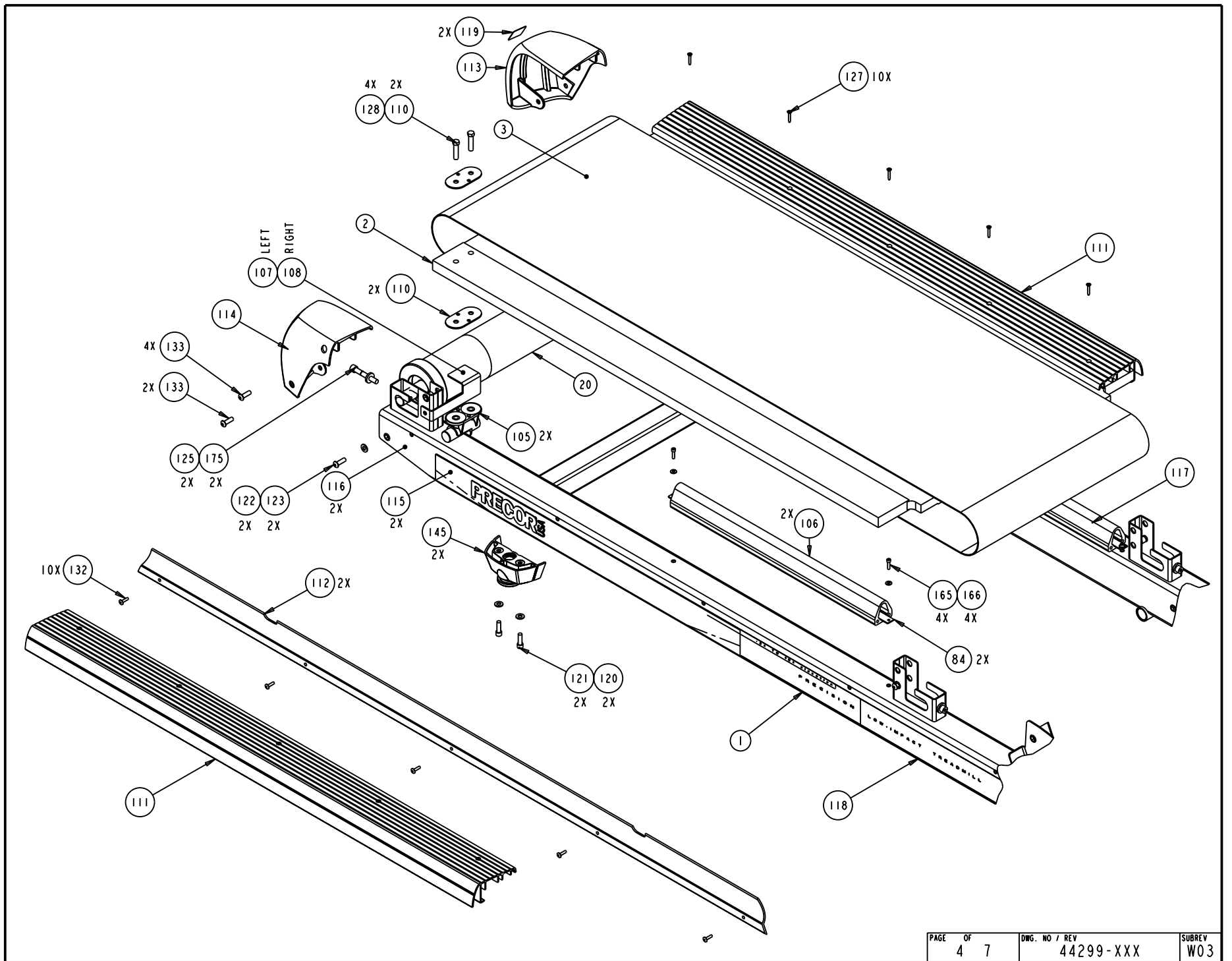


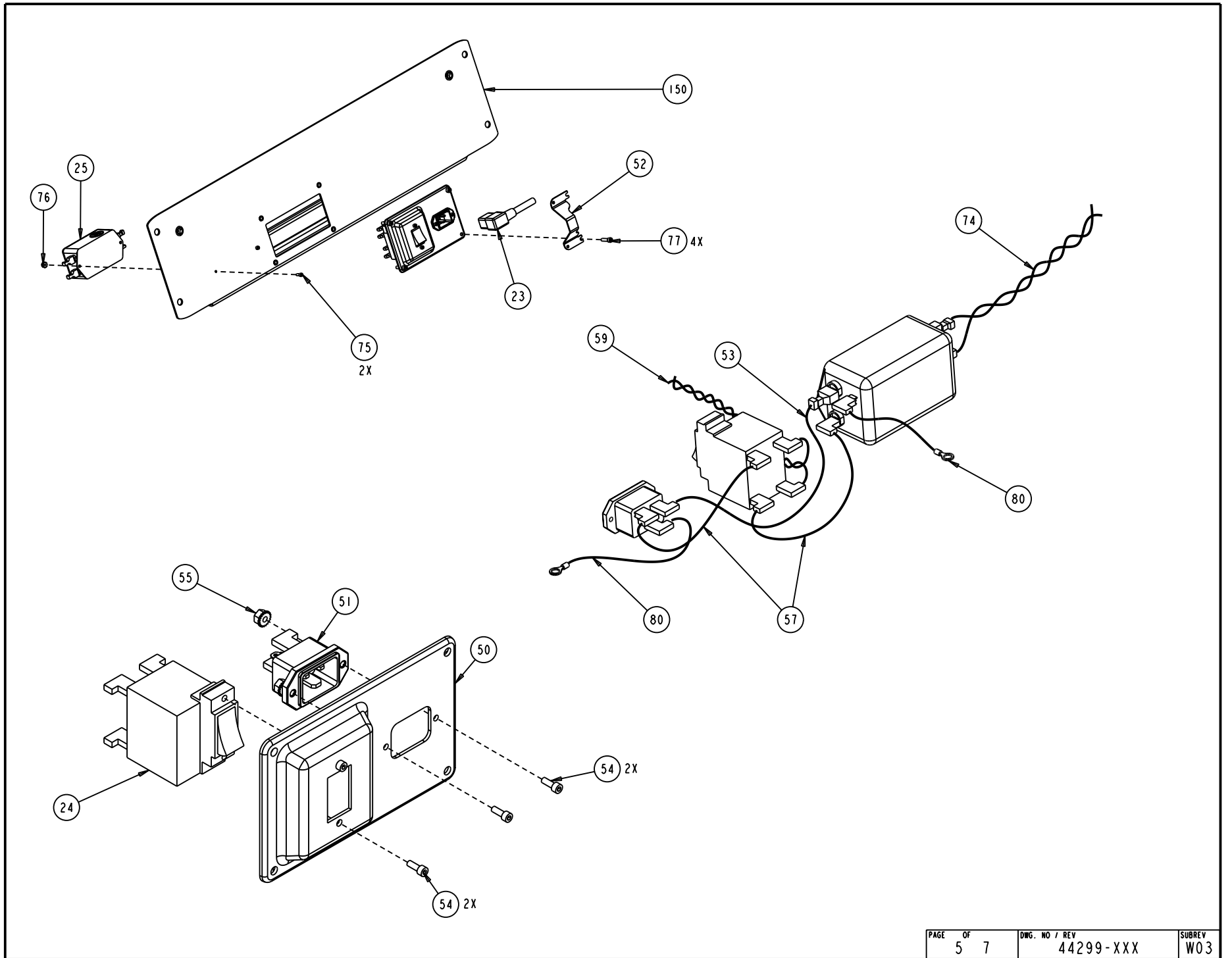
-101: C954-ND  
-102: C956-ND

TREADMILL ASSEMBLY, C95X-ND	P/N: 44299-XXX	REV: W03
DRAWN BY: M.HAMILTON	DATE: 08.09.05	SHEET 1 OF 7



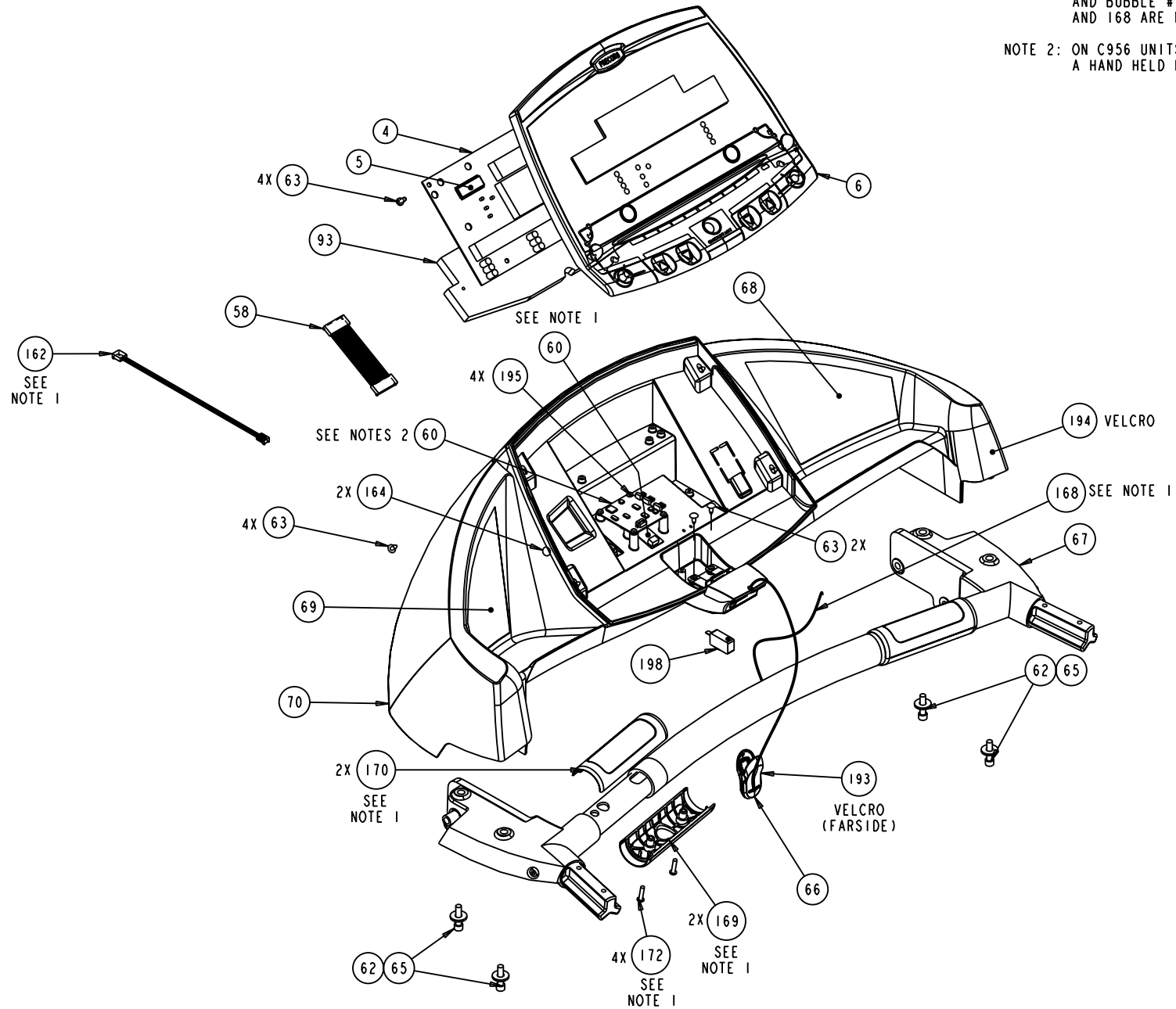


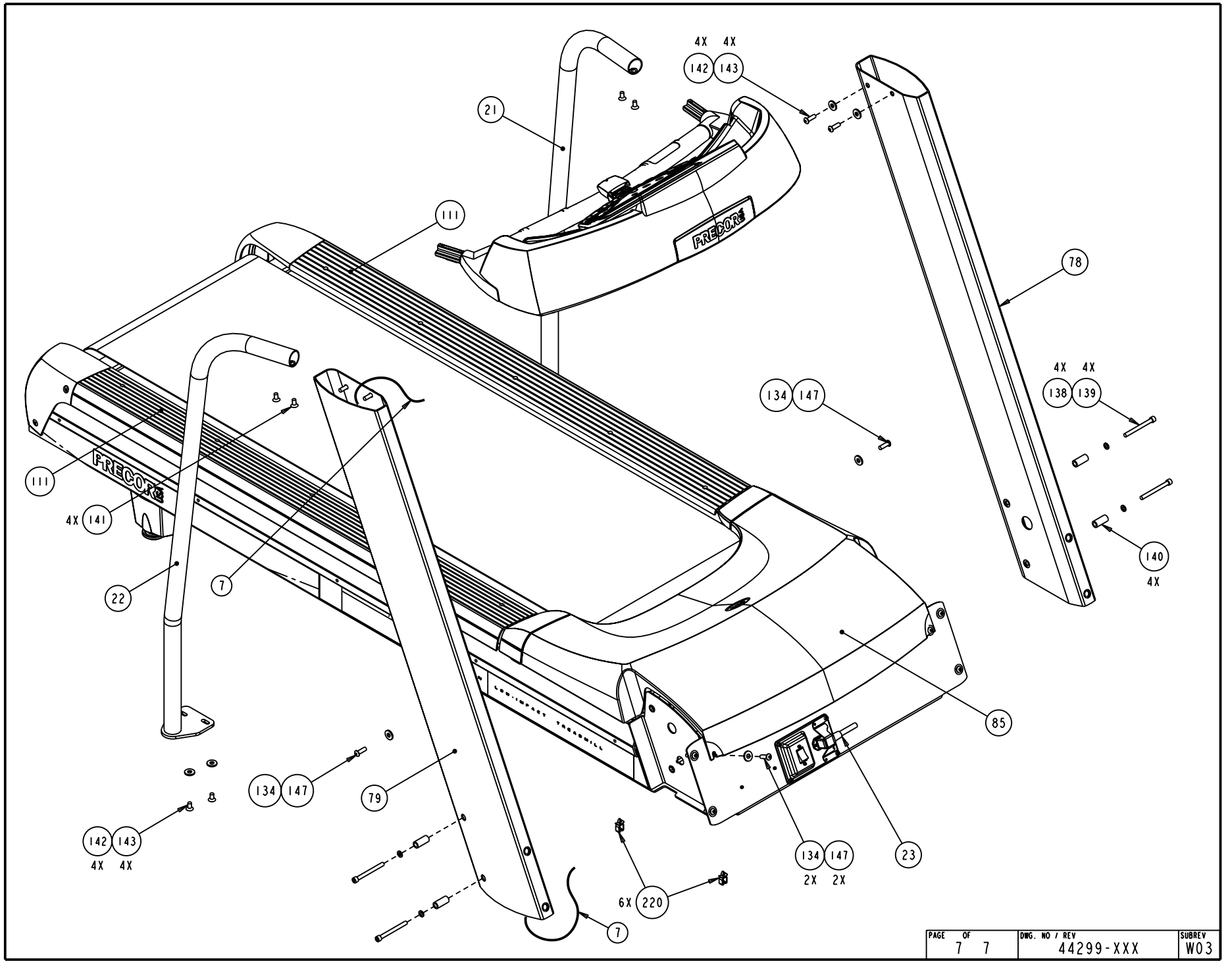




NOTE 1: ON C954 UNITS BUBBLE #60 IS A WIRELESS HEARTRATE RECEIVER AND BUBBLE #'S 162,169,170,172 AND 168 ARE NOT FURNISHED.

NOTE 2: ON C956 UNITS BUBBLE #60 IS A HAND HELD HEARTRATE PCA.





**C954 (240 VAC, version 4)(serial code PD, PE, R4)**

<b>Part Number</b>	<b>Description</b>	<b>Bubble Number</b>
59085-101	DECK ASSY WITH SHIPPER	2
36355-125	RUNNING BELT SIEGLING, 132.75 X 20	3
45683-106	ASSY, UPPER PCA & SW, C954-T3	4
45745-111	ASSEMBLY, DISPLAY, LABEL,EN,T3,C954	6
44905-084	ASSY,CBL,MOD,8P8C,1-1,84"	7
45749-104	ASSY, LOWER ELECTRONICS, C95X-ND,T3	9
59070-103	KIT, ASSY, DRIVE MOTOR, C95XI W/PAC	10
20108-101	ASSY, SPEED SENSOR, CHI-HUA MOTOR	11
45618-024	ASSY,SENSOR,VANE,SR16C,24"L	11
44257-104	MOTOR, LIFT ACTUATOR, 240V	16
44214-102	ASSEMBLY, DRIVE ROLLER	19
44212-102	ASSEMBLY, TAKE-UP ROLLER	20
44218-101	WELDMENT, HANDRAIL, SHORT, LEFT	21
44218-102	WELDMENT, HANDRAIL, SHORT, RIGHT	22
46987-144	PWR CORD,250VAC,20A,NEMA 6-20RA/IEC	23
46988-144	PWR CORD,250VAC,16A,CEE 7/7RA - IEC	23.01
47430-144	PWR CORD,250VAC,20A,NEMA 6-20RA45/I	23.02
10738-102	CKT BRKR,250V,MAGNETIC,ROCKER,	24
11224-102	FILTER,PWR LINE,250VAC,16A	25
44284-301	IC,CPU,PGMD,C95X-ND,LWR,T3/T2,V3.01	27
44275-102	MOUNT, CIRCUIT BREAKER, PLASTIC	50
45381-101	IEC 16/20A POWER CORD INLET	51
47252-101	90 DEGREE POWER CORD CLAMP, C95X.	52
45383-009	ASSY,CBL,1 COND,14AWG,QK DISC,FLAG,	53
CCNE013-038	SCREW, SKHD,6-32X3/8,SS,LK	54
KGCN013-011	LOCKNUT, STARWASHER 6-32, #6	55
44528-006	ASSY,CBL,1 COND,14AWG,QK DISC,6",BR	57
45696-028	ASSY,CBL,FFC,12COND,28AWG,2.8"	58
44532-024	ASSY,CBL,2 COND,22 AWG,MOLEX, 24"	59
48026-101	RECEIVER, WIRELESS, HEART RATE, POL	60
WNKN031-009	WASHER, FLT, .753X.088,BLK ZN	61
WALCN025-006	WASHER, SPLIT LOCK, 1/4 MED,	62
MGCN016-038	SCREW,MCH,8-32X3/8,PANHD,PHIL,	63
PGKN016-050	SCREW,S/T,#8X1/2,TRS,PHIL,BLK	63
CAKN025-100	SCREW,SKHD,1/4-20X1,BLK ZN,LK	65
44202-104	ASSEMBLY, STOP BUTTON	66
45649-102	ASSEMBLY, HANDLEBAR, COMMERCIAL TRE	67
39133-101	LABEL,RIGHT DASH,EN,C954	68
39132-111	LABEL, LEFT DASH,EN, C954	69
39004-105	DASH,CONSOLE	70
45273-023	ASSY, CABLE, FILTER TO TERMINAL BLK	74
CCNE013-038	SCREW, SKHD,6-32X3/8,SS,LK	75
KGCN013-011	LOCKNUT, STARWASHER 6-32, #6	76
CAKE019-075	SCREW, SKHD,10-24 X 0.75,BLK ZN,LK	77
44216-103	ASSEMBLY, TARGA, LEFT	78
44216-104	ASSEMBLY, TARGA, RIGHT	79
44534-008	ASSY,CBL,1COND,14AWG,QK DISC,8"	80
10178-107	BUSHING, SNAP	81
10217-134	BELT, DRIVE, 320J10 POLY V	82



33984-101	LABEL, SAFETY, GROUND SYMBOL	83
44074-103	STRAP, GFX TIE DOWN	84
44224-102	ASSEMBLY, HOOD	85
41601-102	FAN, MOTOR, 240V	86
44087-101	BRACKET, FAN	87
41734-103	BRACKET, VANE SWITCH, MOUNTING	88
WACN019-005	WASHER, FLT, #10X.500X.049,ZN	92
44411-103	TOUCHSENSOR SHIELD,23-KEY,T2/C2/T3/	93
36192-101	BUSHING, SPANNER	94
44227-103	ASSEMBLY, LIFT,WELDMENT	95
44270-101	WHEEL, LIFT	96
CBKN019-038	SCREW,SKHD,10-32X.3/8,BLK ZN	97
44273-104	PIN, QUICK RELEASE	98
CAKN025-100	SCREW,SKHD,1/4-20X1,BLK ZN,LK	99
HCKN050-250	SCREW,HEX,GR 5,1/2-13X2-1/2,BLK ZN	100
KACN050-019	LOCKNUT,HALF,1/2-13,ZN	101
WBCN050-010	WASHER, FLT, 1/2, ID=.531,	103
44234-101	DECK PIVOT	105
44236-101	GFX CUSHION	106
44258-103	BRIDGE, LEFT, PAINTED	107
44258-104	BRIDGE, RIGHT, PAINTED	108
44259-101	BRACKET, MOTOR	109
44263-101	PLATE, SPACER, DECK	110
44268-102	TRIM, DECK	111
44269-104	COVER, SIDERAIL	112
44272-107	ENDCAP, LEFT,PT,CHARCOAL	113
44272-108	ENDCAP, RIGHT,PT,CHARCOAL	114
44287-101	LABEL, SIDERAIL	115
44288-101	LABEL, METALLIC LOGO	116
45519-101	LABEL, SIDERAIL FRONT, LEFT	117
45519-102	LABEL, SIDERAIL FRONT, RIGHT	118
47962-101	LABEL, CAUTION, ENDCAP, SLATE GRAY	119
CAKN031-225	SCREW,SKHD,5/16-18X2.25,BLK ZN,LK	120
WBCN031-007	WASHER,FLT,5/16X.688X.065, ZN	121
CAKN031-100	SCREW,SKHD,5/16-18X1,BLK ZN,LK	122
WBCN031-007	WASHER,FLT,5/16X.688X.065, ZN	123
CAKN031-125	SCREW,SKHD,5/16-18X1.25,BLK ZN,LK	124
CKKN038-250	SCREW,SKHD,3/8-24X2.50L,BLK ZN,.78	125
DCKN019-150	SCREW, WOOD #10 X 1.50	127
HCCN038-150	SCREW,HEX,GR 5,3/8-16X1 1/2,ZN	128
KGCN031-027	LOCKNUT,STARWASHER,5/16-18,1/2	129
PKCN019-050	SCREW,S/T,#10X1/2,WSHHXHD,ZN	130
WAMCN019-002	WASHER, LOCK, EXT TOOTH, #10	131
TAKN019-075	SCREW,BTHD,10-24X3/4,BLK ZN	132
TCKN031-100	SCREW, BTNHD, 5/16-18 X 1, BLK ZN	133
WPNN038-008	WASHER,FLT,5/16X.875X.104,SS	134
10401-106	PIN,CLEVIS, 3/8 X 1.75, SILVER	135
44109-102	PIN, LIFT PIVOT, 2.00	135
10400-103	PIN, HITCH, .093 DIA, SILVER CAD, #	136
44109-103	PIN, LIFT PIVOT, 3.38	137
45669-102	PIN, LIFT PIVOT, 3.34, MUSHROOM HEA	137

CAKN031-350	SCREW,SKHD,5/16-18 X 3.50,BLK ZN,LK	138
WPNN033-005	WASHER,FLT,5/16X.562X..060,AN960C	139
44060-103	SPACER, TARGA BOLT, 2.500 L	140
MRNN025-100	SCREW, MCH,1/4-20X1,FLTHD,HEX	141
TCNN031-100	SCREW,BTHD,5/16-18X1, SS	142
WPNN038-008	WASHER,FLT,5/16X.875X.104,SS	143
44019-104	ASSEMBLY, REAR FOOT, C95X-ND	145
TCNN031-100	SCREW,BTHD,5/16-18X1, SS	147
44226-101	ASSEMBLY, DRESS PLATE,CHARCOAL GRAY	150
12157-102	BUMPER, RUBBER BUMPON, .44 X .20	164
CAKE019-075	SCREW, SKHD,10-24 X 0.75,BLK ZN,LK	165
WACN019-005	WASHER, FLT, #10X.500X.049,ZN	166
37436-101	LABEL, CHASIS NEUTRAL	169
WAVCN038-015	WASHER, FLAT, 3/8 X .875 X .150	175
12264-101	RJ-45 TELEPHONE JACK PLUG	180
45728-102	ENCLOSURE, UPPER	192
10762-110	VELCRO, BLACK HOOK,1.50 X 1.00	193
10762-109	VELCRO, BLACK LOOP,1.50 X 1.00	194
44201-103	SWITCH MOUNT, M9.5X,C95X	196
45283-011	ASSY,CBL,UPPER SAFETY SWITCH,11"	197
12259-102	SWITCH,MICRO,PLUNGER,SPNC	198
44544-018	ASSY,CBL,2 COND,18AWG,QK DISC,18"	199
44289-102	HARDWARE KIT, C95X-ND,C966	200
10186-101	WRENCH, ALLEN, 5/32	201
10186-102	WRENCH, ALLEN, 1/4	202
10186-103	WRENCH, ALLEN, 3/16	203
10186-104	WRENCH, ALLEN, 5/16	204
11075-020	FUSE,200MA,250VAC,SLOW,RADIAL	205
11075-102	FUSE,1.00A,250VAC,SLOW,RADIAL	206
11075-105	FUSE,2.00A,250VAC,SLOW,RADIAL	207
50991-101	SLIK DECK AND DRYLUBE BELT CS KIT W	210
12414-101	CABLE CLAMP INSERT,SNAP IN	220
20002-113	BRUSH W/ LEAD, CHI HUA 93 SERIES DC	235
20002-117	GROUND BRUSH, CHI HUA 93 SERIES DC	236
59071-101	RETRO KIT, GUARD, STOP KEY, CHARCOA	291
20002-109	BRUSH, MOTOR, PWM, C944	990
20002-116	BRUSH, MOTOR (YP00542, YP00557)	991
44291-106	LITERATURE KIT, C954-ND/C956-ND	999